

Procedure for disabling protection circuit that cuts input exceeding 5.15 V from AC adapter

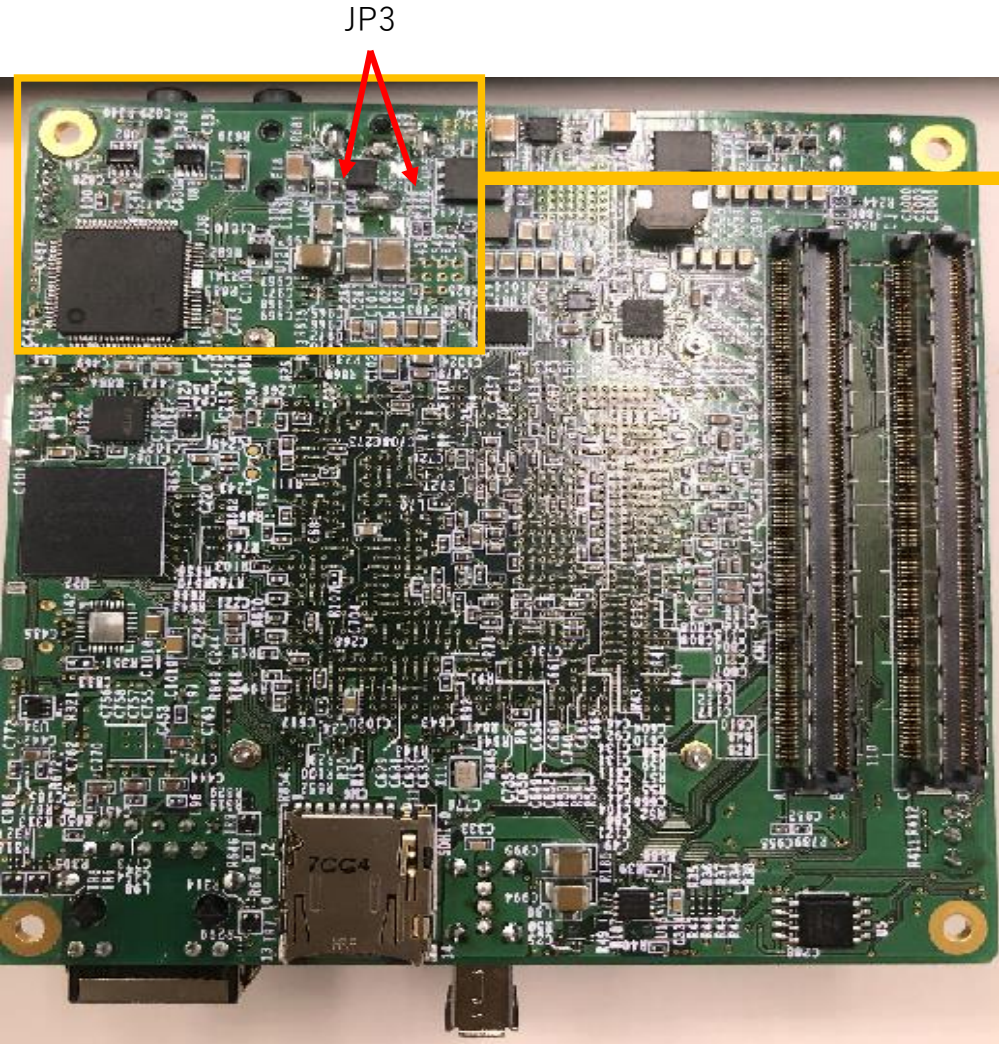
- The starter kit RevB[*1] has a protection circuit that cuts off the input of 5.15 V or more.
- If you can not prepare an AC adapter outputting 5.15 V or less, disable the protection circuit in the procedure on the next page.
- This remodeling does not guarantee the contents.
- Please remodel with self responsibility.
- If input a big voltage after remodeling, the board break down.

[*1] -RTP0RC77951SKBX010SA03 [S/N 3001-3300]

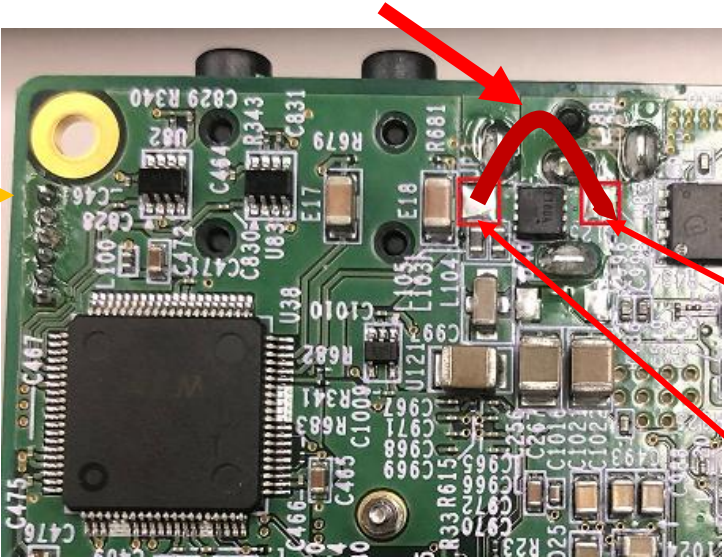
Procedure for disabling protection circuit that cuts input exceeding 5.4 V from AC adapter

You can disable the protection circuit by short-circuiting JP3.

Please short JP3 with a thick wire.

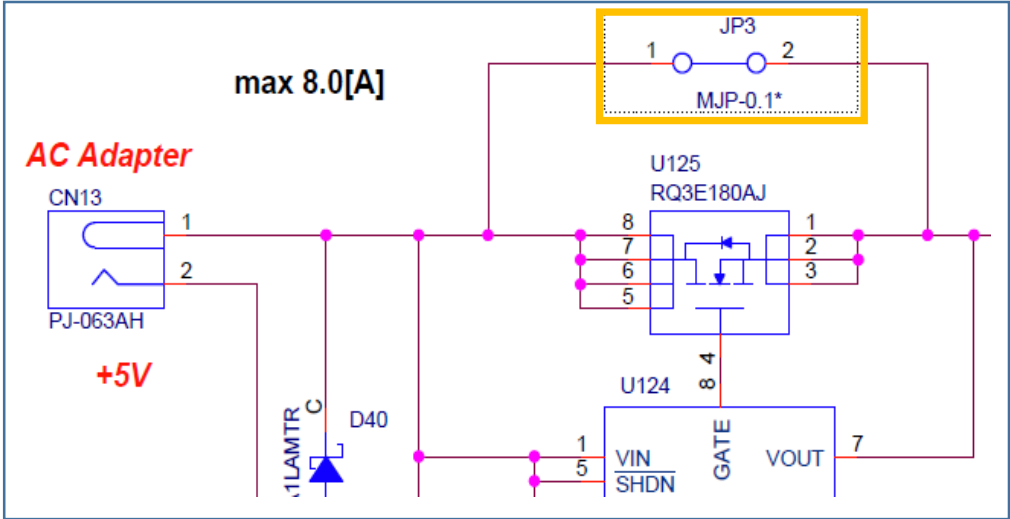


Starter Kit Bottom side



JP3-1pin side

JP3-2pin side



Starter kit circuit diagram